



# Acme Sanitary Ware Co Ltd


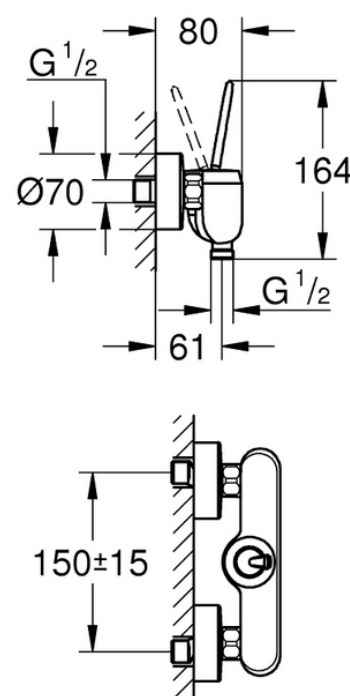
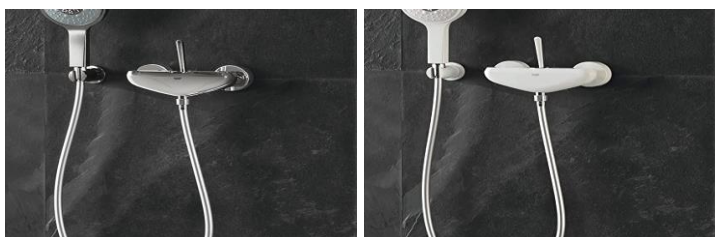
Acme Building, 22-28 Nanking Street, Kowloon, Hong Kong  
Tel: 2388 7171 Fax: 2710 8012  
E-mail: acme@acmesanitary.com.hk  
Website: www.acmesanitaryware.com.hk



Pure Freude  
an Wasser

PROJECT		REF		REV	ITEM CODE	
LOCATION		DATE			PAGE	

## SANITARY WARE SPECIFICATION SHEET

<p>Item Descriptions</p> <p>Dimensions</p> <p>Model</p> <p>Finish</p> <p>Manufacturer</p> <p>Supplier</p> <p>Contact Tel/Fax</p> <p>E-mail</p> <p>Website</p>	<p>GROHE (Germany) "Eurodisc Joy" Single-lever shower mixer 1/2"</p> <p>L80 x W150 x H164 mm</p> <p>23430000</p> <p>Chrome Plated</p> <p>GROHE Limited</p> <p>Acme Sanitary Ware Co. Ltd Mr. Eric Wong/ Mr. Don Yuen</p> <p>(852) 2388-7171 / (852) 2710-8012</p> <p>acme@acmesanitary.com.hk</p> <p>www.acmesanitary.com.hk</p>	<p>Illustration/ Drawing</p>   <p>GROHE FeatherControl</p> <p>GROHE StarLight*</p> <p><b>"Eurodisc Joy"</b> <b>Single-lever shower mixer 1/2 "</b></p> <ul style="list-style-type: none"> <li>· wall mounted</li> <li>· metal lever</li> <li>· <b>GROHE FeatherControl</b> Joystick cartridge</li> <li>· <b>GROHE StarLight</b> chrome finish</li> <li>· shower bottom outlet 1/2" with integrated non return-valve</li> <li>· S-unions</li> <li>· protected against backflow</li> </ul>  <p>Colour options: ● 000 Chrome    ○ LS0 MoonWhite</p>
---	--	---

Note: [YouTube \(Unboxing 23430LS0\) https://www.youtube.com/watch?v=AlaTNOgPzco](https://www.youtube.com/watch?v=AlaTNOgPzco)

\* All information of the above is for the reference only. No prior notice is made if any changes.



# Acme Sanitary Ware Co Ltd

Acme Building, 22-28 Nanking Street, Kowloon, Hong Kong  
 Tel: 2388 7171 Fax: 2710 8012  
 E-mail: acme@acmesanitary.com.hk  
 Website: www.acmesanitaryware.com.hk



Pure Freude  
an Wasser

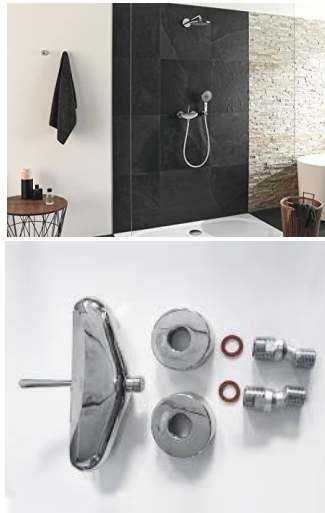
PROJECT		REF		REV	ITEM CODE	
LOCATION		DATE			PAGE	

## SANITARY WARE SPECIFICATION SHEET

### GROHE EURODISC JOY

#### DESIGN THAT GIVES PLEASURE

Out of the ordinary. Take it easy for the whole day – just switch off your mind and let inspiration into your everyday life. Eurodisc Joy bathrooms were created for connoisseurs of pleasure, who love unique things and appreciate creative details. This collection is so special that it won us the Red Dot Design Award.



#### Easy to clean thanks to the GROHE StarLight chrome coating

Just wipe the tap down with a dry cloth – the ultra smooth surface finish is scratch resistant and ensures a lasting luminous sheen. You'll save plenty of time cleaning while your tap always looks shiny and new.

Smooth joystick handling for effortless precision and ultimate convenience to last a lifetime. The brand new GROHE FeatherControl cartridge brings joystick control to a whole new level. Using state-of-the-art coated ceramic discs and an innovative sealing, the GROHE engineers have created a joystick cartridge with a wider volume and temperature angle – for a more precise control – with the same silky smooth operation as our renowned GROHE SilkMove® cartridge.

Only GROHE mixers deliver the unique GROHE FeatherControl experience. The solid smooth handling of our joystick-lever mixers perfectly expresses the quality and superiority of our brand.brand.

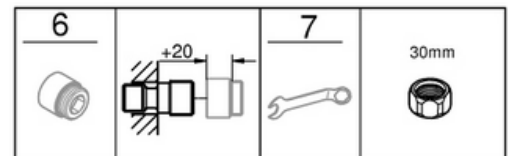
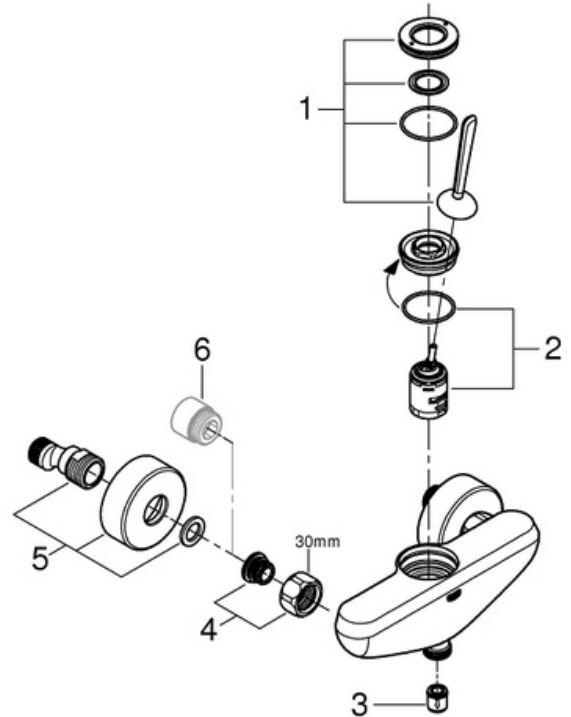


The wide FeatherControl temperature angle ensures more precise temperature control.



Effortless fingertip control and silky smooth operation, thanks to the superior ceramic disc-coating.

Even after years FeatherControl guarantees the same smooth operation as on day one.



Pos.-nr.	Prod. description	Order-nr.
1	Lever	46906000
2	Cartridge	46907000
3	Non-return valve	08565000
4	Screw connection 1/2"	45044000
5	S-union	12662000
6	Extension 3/4", 20 mm	0713000M*
7	Special spanner	19377000*

\* Optional accessories

**Note:**

\* All information of the above is for the reference only. No prior notice is made if any changes.



Department  
Immigration Tower, 7 Gloucester Road, Hong Kong

電子郵遞  
e-mail [wsdinfo@wsd.gov.hk](mailto:wsdinfo@wsd.gov.hk)

電話  
Telephone 2829 4355

圖文傳真  
Facsimile 2824 0578

檔號  
Reference ( 2 ) in WSD 3321/16 Pt.1 T/J(1501)

16 November 2016

### Approval of "GROHE" Shower Mixer

Your letter ref. WRC/1231 dated 31 October 2016 refers.

Having considered the test report ref. J20824 issued on 3 October 2016 by Nutek Systems (HK) Ltd., this Authority accepts that the fitting described below complies with, and its use when correctly installed does not contravene, the Waterworks Ordinance and Regulations.

**Name of Manufacturer:** Grohe AG  
**Country of Origin:** Germany  
**Brand:** Grohe  
**Details of Fitting:** 1/2" Single lever shower mixer  
**Model:** 23430000  
**Body Markings:**   
**Expiry Date:** 4 September 2021

This Authority hereby permits the use of the above fitting in fresh water plumbing systems subject to full adherence to Waterworks installation requirements. In particular, you are required to draw your customers' attention to the following requirement-

"The cold water supply to the fitting shall be drawn from the same source that supplies the hot water apparatus so as to provide a balanced pressure and to obviate the risk of scalding in the event of a restriction or failure in the water supply." AND

"The shower head or handspray should not be placed in submerged conditions and should be securely fixed to the original position after use."

A condition of this acceptance is that the fitting to be installed shall be replicas of the sample as certified by the testing agent mentioned above and without modifications. This acceptance may be withdrawn at any time if the standard of the fitting installed fails to meet that of the approved sample or if the fitting is found to be unsuitable for use in fresh water plumbing systems.

This acceptance is only applicable to the main body of the fitting, unless other specified.

For the use of the fitting in any project, the Acceptance Reference Number at the bottom of this letter must be quoted as a means of identification of acceptance of the fitting by this Authority.

Should you have any enquiries, please contact our Engineer Mr. Terry KUNG at tel. no. 2294 2656.

Yours faithfully,



(CHAN Chung Kun)  
for Water Authority

c.c.      WSD 3321/1/82    ] - without catalogue  
            ME/MC            ] - with soft copy only